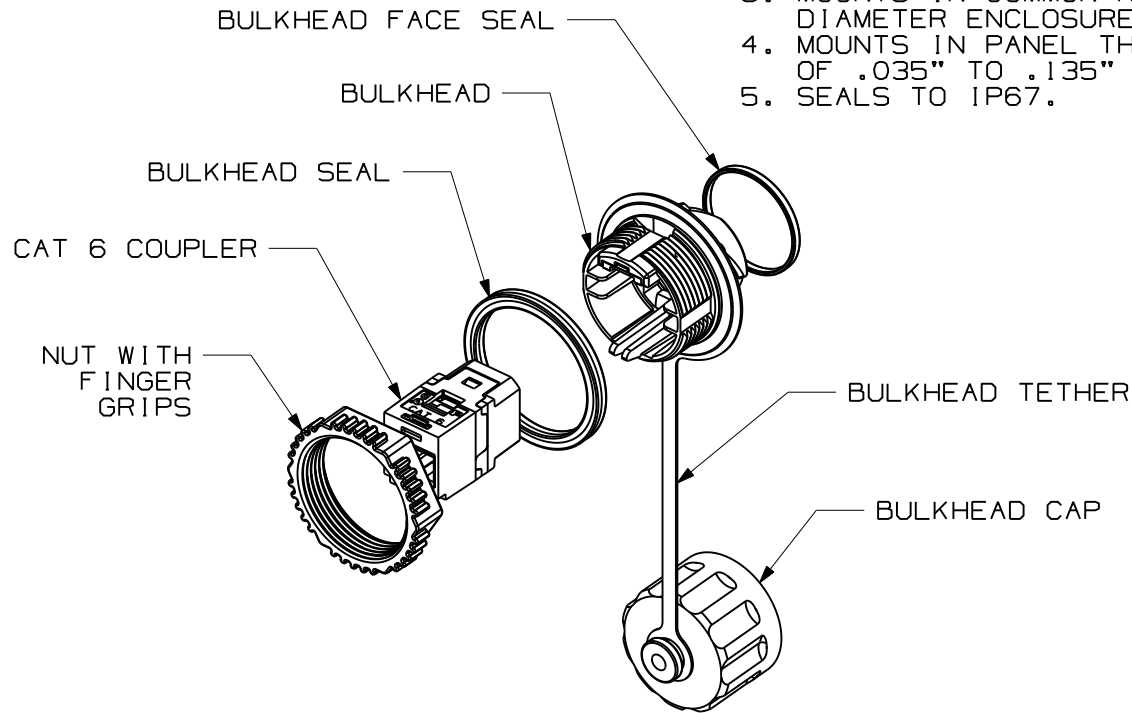
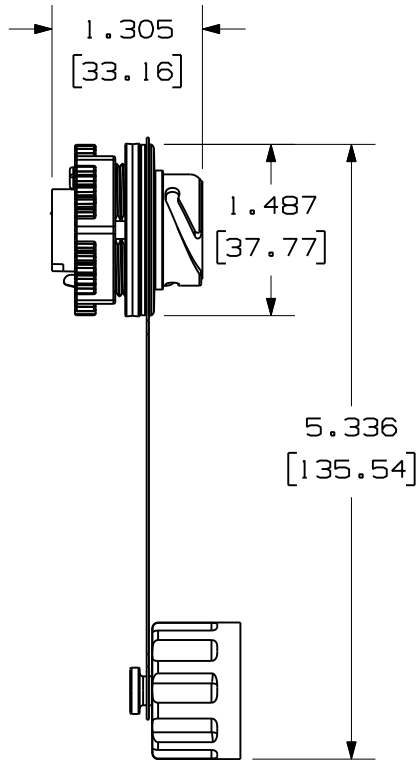


THIS COPY IS PROVIDED ON A RESTRICTED BASIS AND IS NOT TO BE USED IN ANY WAY DETRIMENTAL TO THE INTERESTS OF PANDUIT CORP.

NOTES:

1. SEE CURRENT CATALOG FOR ADDITIONAL PART NUMBER SUFFIXES TO INDICATE PACKAGE QUANTITY.
2. DIMENSIONS IN PARENTHESES ARE METRIC.
3. MOUNTS IN COMMON NEMA 1-13/64" (30.5mm) DIAMETER ENCLOSURE OPENING.
4. MOUNTS IN PANEL THICKNESS OF .035" TO .135"
5. SEALS TO IP67.



MODEL FILENAME	MO2731AU_FULL_ASM_00.PRT	SIZE	A
DRAWING FILENAME	MO2731CB_DC17_00A.PRT		

INDUSTRIALNET TX6 PLUG TO PLUG COUPLER WITH BULKHEAD

<p>PANDUIT<sup>TM</sup> CORP. TINLEY PARK, ILL 60477</p>	I.I. NUMBER
	PRODUCT SPEC/ PKG SPEC
<p>THIRD ANGLE PROJECTION</p>	ASSY METHOD/ TEST METHOD
	SCALE
DRAWN BY NER	REVIEW DRAWING NUMBERS
DATE 7-27-07	PART NO. 1AEBHC6
CHK'D	DRAWING NO. 02731-17

REV	DATE	BY	CHK	DESCRIPTION	ECN	R	CUST	SUP	OTH
R	7-27-07	NER		RELEASED TO PRODUCTION	02731-17				